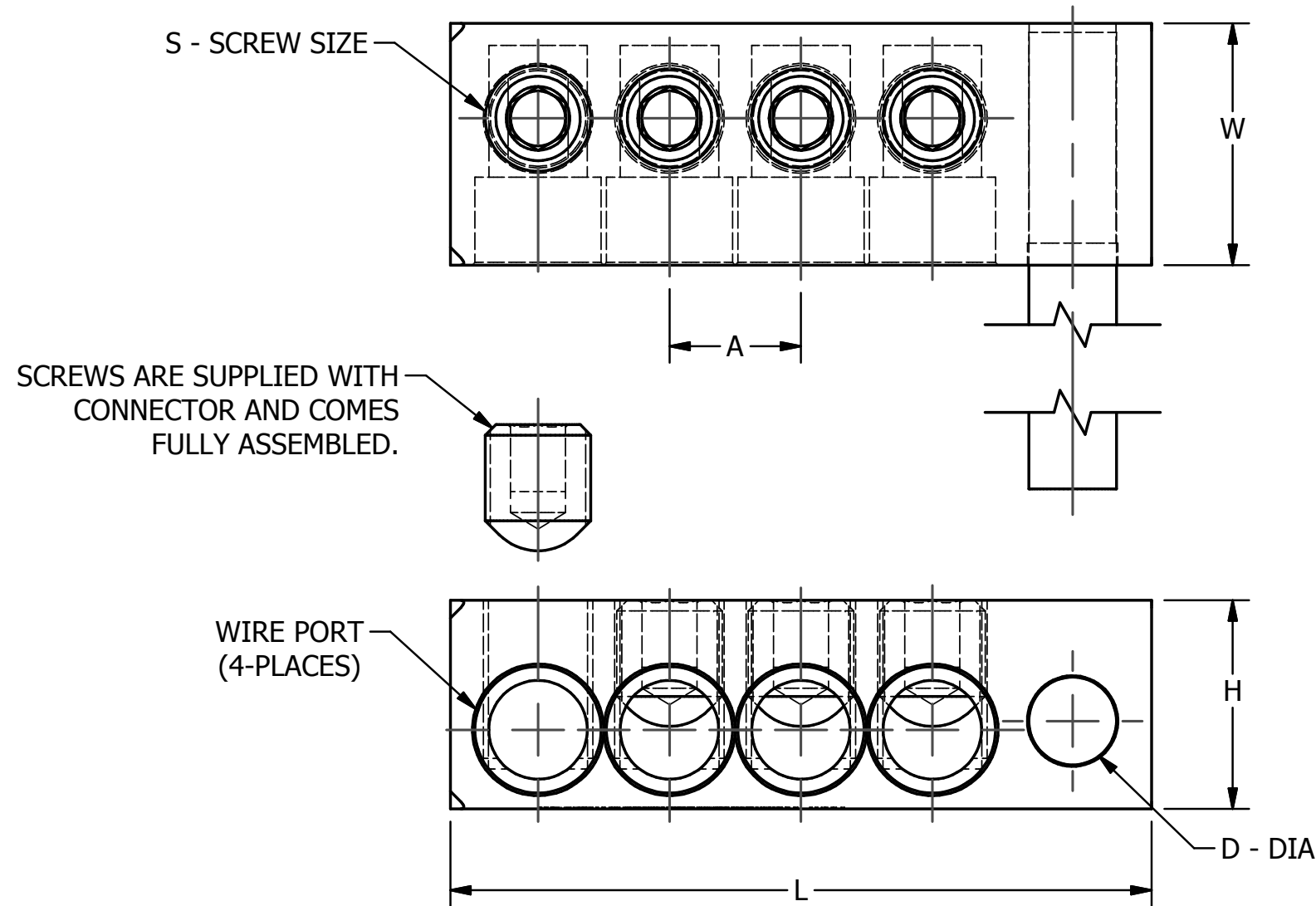
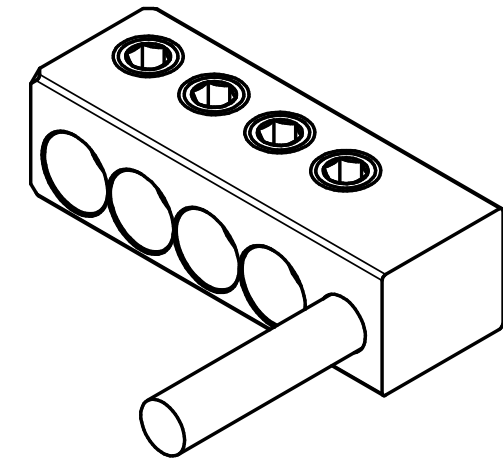


S.NO	CATALOG NUMBER	L	W	H	D	A	S	CONDUCTOR SIZE
1	NPB4-4/0I	4.00 [102]	1.38 [35]	1.19 [30]	0.50 [13]	0.75 [19]	5/8-18	4/0 AWG-10
2	NPB4-350I	5.30 [135]	1.75 [44]	1.38 [35]	0.50 [13]	1.03 [26]	13/16-16	350 KCMIL-12
3	NPB4-500I	6.06 [154]	2.00 [51]	1.75 [44]	0.75 [19]	1.23 [31]	13/16-16	500 KCMIL-10



DUAL-RATED CONDUCTORS
(ALUMINUM OR COPPER)

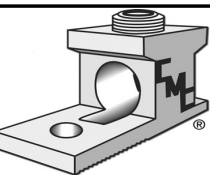
FINISH: CLEAR PLATE
MATERIAL: ALUMINUM

					TO ORDER CMC PRODUCTS CALL 1-513-860-4455	DRAWN BY: TS 09-27-19	NAME OF PART: PIN CONNECTOR ASSEMBLY	CAT. NO.: SEE TABLE
					FOR PRODUCT INFO: http://www.cmclugs.com	CHECKED BY:	DWG NO: C58700969I-S (CHARTED)	A
A	NEW DRAWING CREATED		09-27-19	TS		DRAWING NOT TO SCALE		SHEET NO: 1 OF 1
REV.	DESCRIPTION	ECN	DATE	INIT.				

THIS INFORMATION IS PROPRIETARY TO CONNECTOR MFG. CO. AND IS NOT TO BE DISCLOSED OUTSIDE OF CONNECTOR MFG. CO. WITHOUT A CONFIDENTIALITY AGREEMENT



CONNECTOR MANUFACTURING CO.



HAMILTON, OHIO